

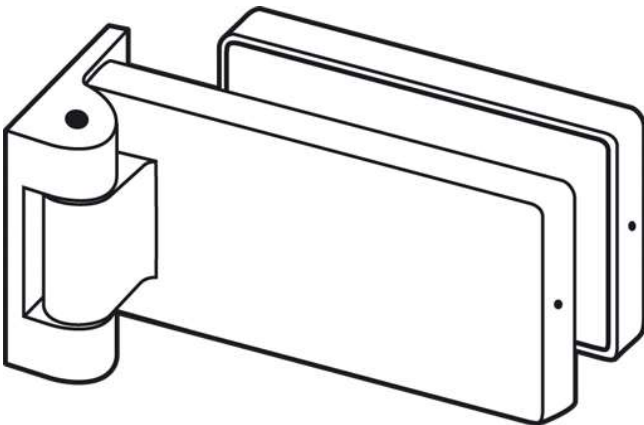
V505

Patch-hinge with anodised butt for single action doors

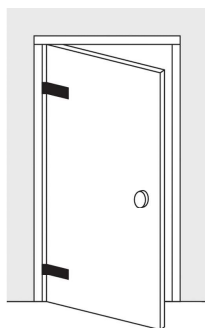
Photograph



Picture



Picture



Category

Locksets and hinges

Family

LUMIRA 71 1

Finish

- 12 Anodised alu brushed silver
- 04 Anodised alu brushed gold
- 18 Anodised alu bronze
- 01 Brass polished varnished
- 30 Bright polished brass
- 33 Brass polished matt brushed
- 90 Alu mill finish
- 36 Anodised alu brushed ANINOX

Technical aspects

Other finishes of this item are available till end of stock, contact us
 This reference can be part of a 'factory order'
 Item standard for 8 mm glass thickness
 Can be used for 10 mm glass thickness but order specific gaskets
 Maximum door weight 45 kgs
 Item can be in RAL powder coated finish, price and lead time on request
 Packaging quantity : 1

Unit

per piece

Description

Hinge suitable for all rebate depths
 Surface mounted without cutout, onto all types of frames
 Cover plate offset by 17 mm from door frame to avoid wear and tear on rebate strip

