

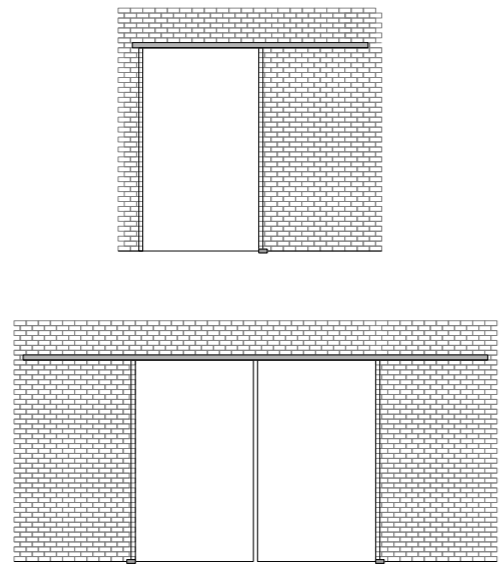


Article list

Portavant M 50 / Portavant M 80 (Glass sliding doors)

The new Portavant fittings with cushioning on both sides up to 50 kg (Portavant M 50) / 80 kg (Portavant M 80)

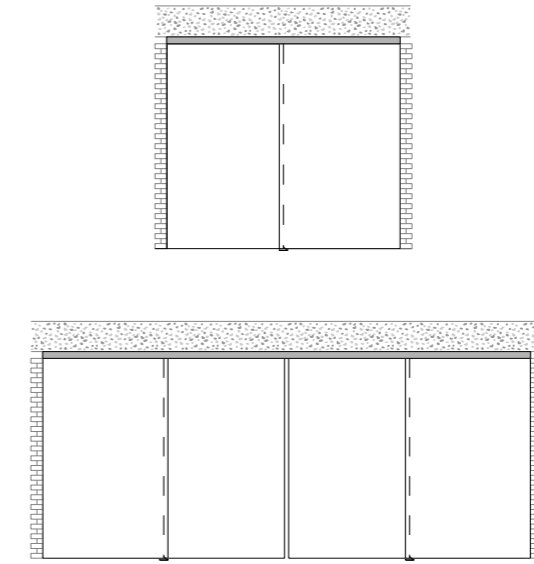
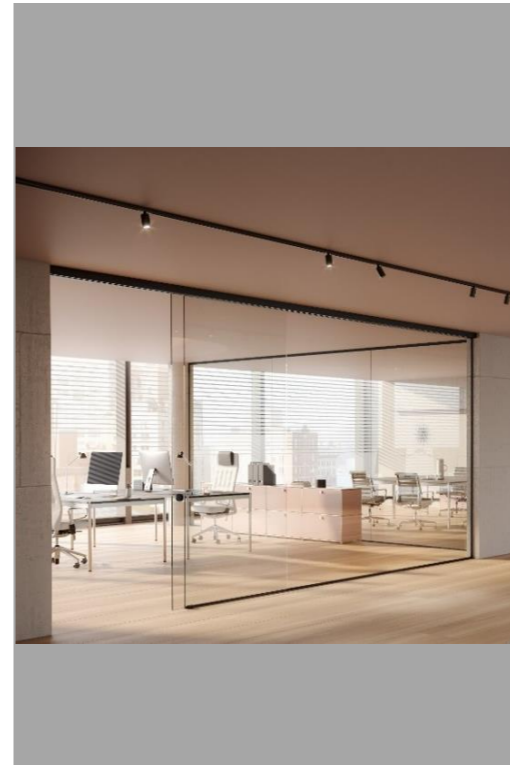




Wall mounting



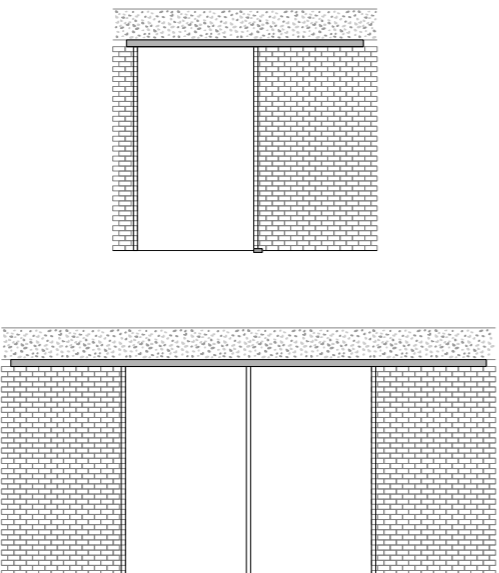
Pages 3 to 6



Ceiling mounting with sidelight



Pages 11 to 14

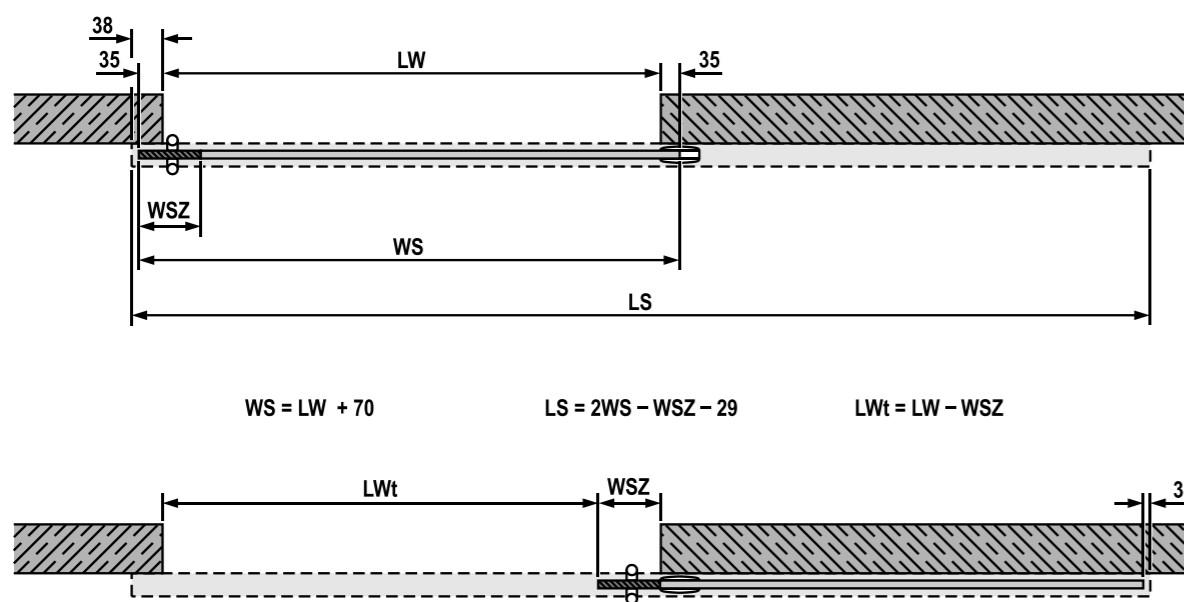


Ceiling mounting



Pages 7 to 10

Calculation of glass width and profile length



$WS = LW + 70$ $LS = 2WS - WSZ - 29$ $LWt = LW - WSZ$

984.EV193.1911

Your project measurements (mm)

Clear width (building) = LW = _____

Calculation of glass width of sliding sash (mm)

$WS = LW + 70 =$ _____ ≥ 330 mm

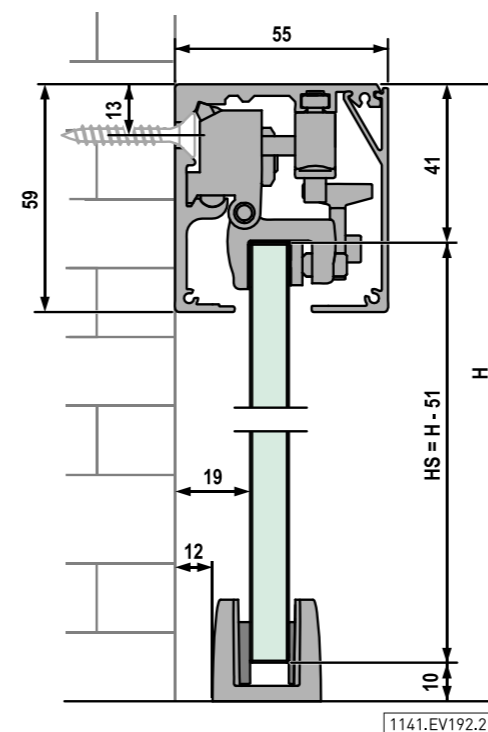
Note:

Please note that different formulas are used to calculate the glass widths and profile lengths when using the Portavant door stop profiles with/without striking plate. A different formula also applies for the calculation of the profile lengths for one-sided systems with wall mounting and door frame. You will find these special formulas in our Portavant M 50 / Portavant M 80 profile and glass dimensions calculator at www.willach.com (please go to "Vitris", "Glass sliding door fittings for interior doors", "Portavant M 50 / Portavant M 80" in the "Downloads" area).

Calculation of profile length (track profile and cover profile; mm)

$LS = 2WS - WSZ - 29 =$ _____

Calculation of glass height



1141.EV192.2102

Your project measurements (mm)

System height = H = _____

Calculation of glass height of sliding sash (mm)

$HS = H - 51 =$ _____

Note:

The maximum height-width ratio of the sliding sash is 3:1.

Calculation of sash weight

Weight of sliding sash (kg)

From 20 kg to 50 kg

From 50 kg to 80 kg

Please use Portavant M 50.

Please use Portavant M 80.



Your project measurements (mm)

Glass thickness of sliding sash = _____

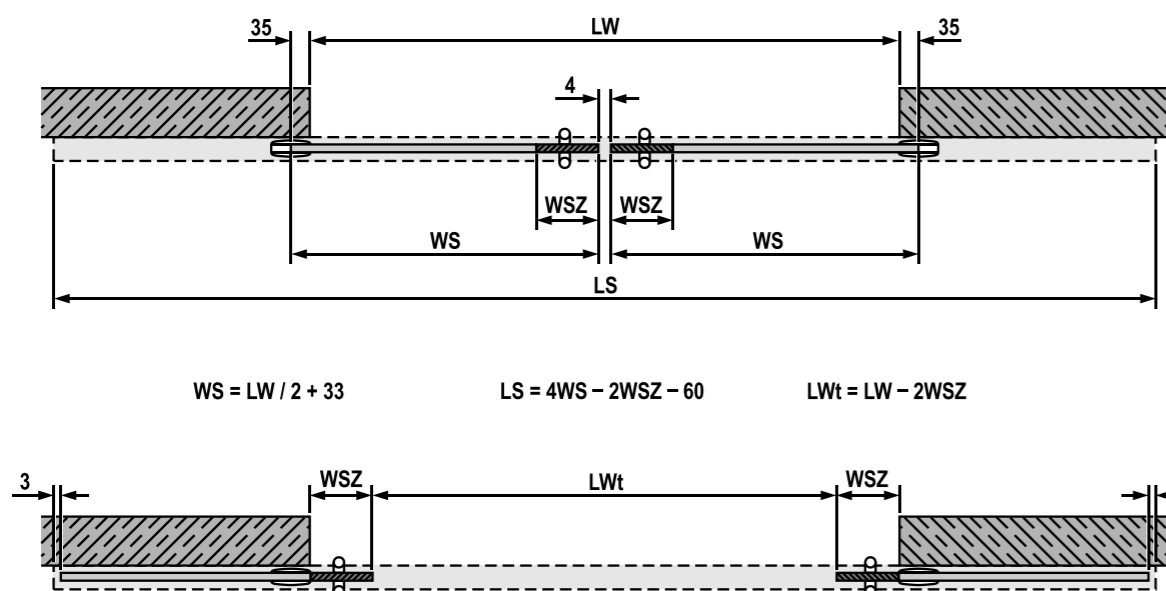
Calculation of sash weight of sliding sash (kg)

Sash weight = $WS/1000 \times HS/1000 \times$ glass thickness (without film) $\times 2.5 =$ _____

Note:

Portavant M 50 is suitable for sash weights from 20 kg to 50 kg. Portavant M 80 can be used for sash weights from 50 kg to 80 kg. For sash weights from 20 kg to 120 kg you can also use Portavant G 120 (e.g. for special installation situations such as glass wall mounting).

Calculation of glass width and profile length



$WS = LW / 2 + 33$ $LS = 4WS - 2WSZ - 60$ $LWt = LW - 2WSZ$

985.EV193.1911

Your project measurements (mm)

Clear width (building) = LW = _____

Calculation of glass width of sliding sash (mm)

$WS = LW/2 + 33 =$ _____ ≥ 330 mm

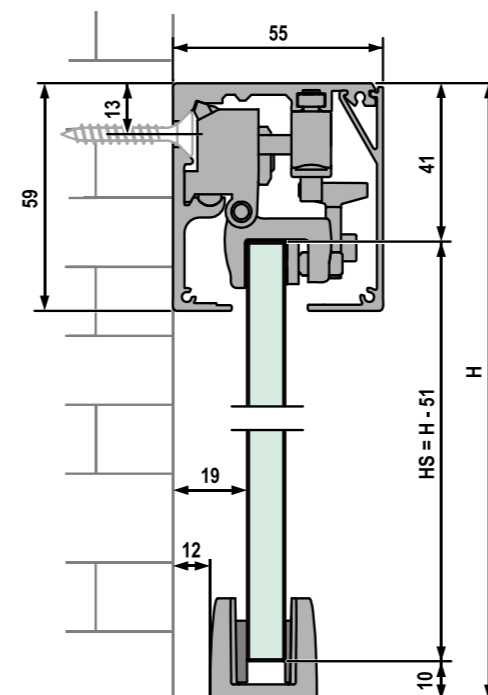
Note:

You will find our Portavant M 50 / Portavant M 80 profile and glass dimensions calculator at www.willach.com (please go to "Vitris", "Glass sliding door fittings for interior doors", "Portavant M 50 / Portavant M 80" in the "Downloads" area).

Calculation of profile length (track profile and cover profile; mm)

$LS = 4WS - 2WSZ - 60 =$ _____

Calculation of glass height



1141.EV192.2102

Your project measurements (mm)

System height = H = _____

Calculation of glass height of sliding sash (mm)

$HS = H - 51 =$ _____

Note:

The maximum height-width ratio of the sliding sash is 3:1.

Calculation of sash weight

Weight of sliding sash (kg)

From 20 kg to 50 kg

From 50 kg to 80 kg

Please use Portavant M 50.

Please use Portavant M 80.



Your project measurements (mm)

Glass thickness of sliding sash = _____

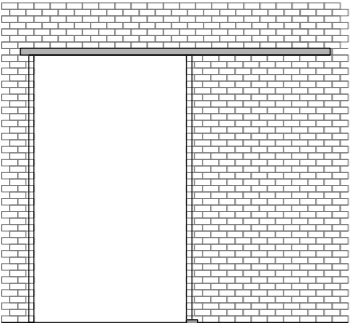
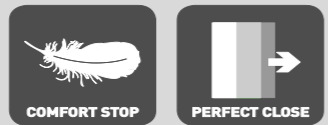
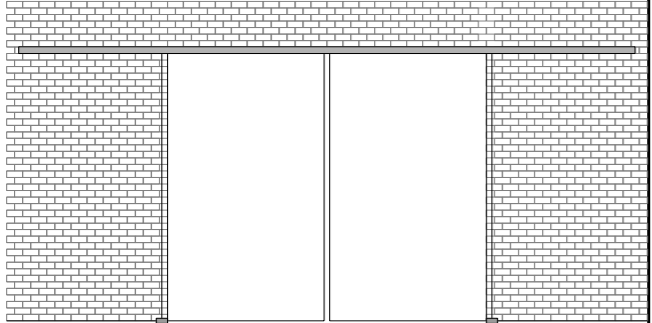

Calculation of sash weight of sliding sash (kg)

Sash weight = $WS/1000 \times HS/1000 \times$ glass thickness (without film) $\times 2.5 =$ _____

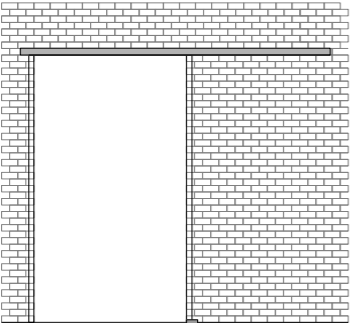

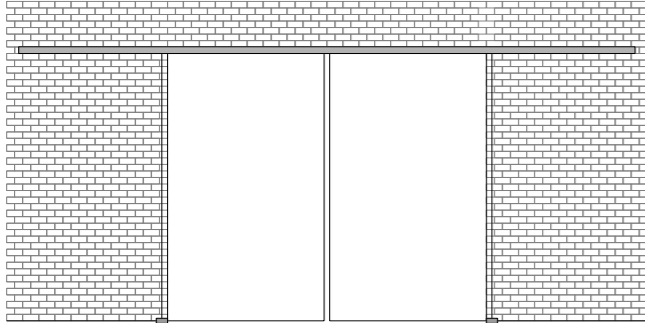
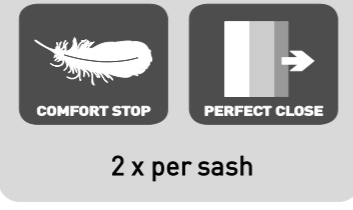
Note:

Portavant M 50 is suitable for sash weights from 20 kg to 50 kg. Portavant M 80 can be used for sash weights from 50 kg to 80 kg. For sash weights from 20 kg to 120 kg you can also use Portavant G 120 (e.g. for special installation situations such as glass wall mounting).

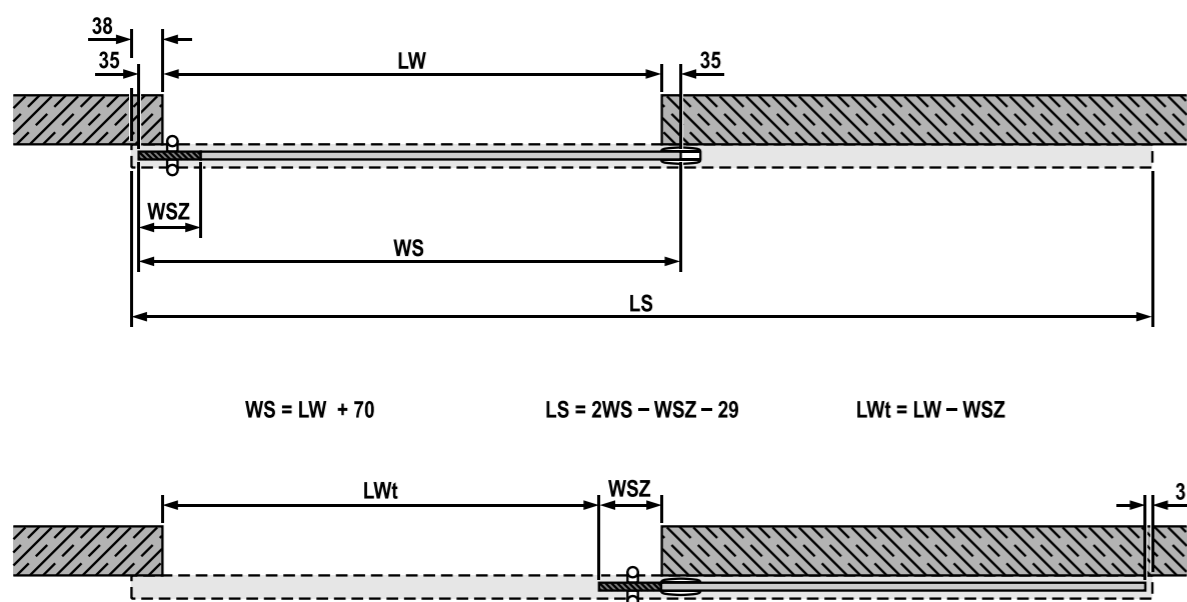
Portavant M 50 – Complete sets for wall mounting, one and two-sided systems

Installation situation	Equipment	Description	Profile length	Item number	Finish	Unit	Price in EUR	
	 <p>2 x per sash</p>	<p>Complete set Portavant M 50, wall mounting, one-sided system, with sliding sash weights from 20 kg to 50 kg, 2 x COMFORT STOP + PERFECT CLOSE includes:</p> <ul style="list-style-type: none"> 1 x track profile for wall mounting 1 x cover profile 1 x accessory kit for door sash weights from 20 kg to 50 kg 1 x floor guide housing 1 x end plates for wall mounting/ceiling mounting (1 pair) 	1996 mm	625 112.1996.110	EV1	1 piece		
					.120	C31	1 piece	
					.190	C35	1 piece	
					.517	RAL 9016	1 piece	
			2496 mm	625 112.2496.110	EV1	1 piece		
					.120	C31	1 piece	
					.190	C35	1 piece	
					.517	RAL 9016	1 piece	
			Custom length (mm)	625 112.length.110	EV1	per m (custom length)		
					.120	C31	per m (custom length)	
		.190	C35	per m (custom length)				
		.517	RAL 9016	per m (custom length)				
Optional accessories: electric lock, door stop profiles with/without striking plate, spacer profile, spacer gap cover profile, end plates for systems with spacer profiles (see pages 15-19)								
	 <p>2 x per sash</p>	<p>Complete set Portavant M 50, wall mounting, two-sided systems, with sliding sash weights from 20 kg to 50 kg, 2 x COMFORT STOP + PERFECT CLOSE per sash includes:</p> <ul style="list-style-type: none"> 1 x track profile for wall mounting 1 x cover profile 2 x accessory kit for door sash weights from 20 kg to 50 kg 2 x floor guide housing 1 x end plates for wall mounting/ceiling mounting (1 pair) 	2996 mm	625 212.2996.110	EV1	1 piece		
					.120	C31	1 piece	
					.190	C35	1 piece	
					.517	RAL 9016	1 piece	
			3996 mm	625 212.3996.110	EV1	1 piece		
					.120	C31	1 piece	
					.190	C35	1 piece	
					.517	RAL 9016	1 piece	
			4996 mm	625 212.4996.110	EV1	1 piece		
					.120	C31	1 piece	
		.190	C35	1 piece				
		.517	RAL 9016	1 piece				
Custom length (mm)	625 212.length.110	EV1	per m (custom length)					
		.120	C31	per m (custom length)				
		.190	C35	per m (custom length)				
		.517	RAL 9016	per m (custom length)				
Optional accessories: electric lock, spacer profile, spacer gap cover profile, end plates for systems with spacer profiles (see pages 15-19)								

Portavant M 80 – Complete sets for wall mounting, one and two-sided systems

Installation situation	Equipment	Description	Profile length	Item number	Finish	Unit	Price in EUR	
		<p>Complete set Portavant M 80, wall mounting, one-sided system, with sliding sash weights from 50 kg to 80 kg, 2 x COMFORT STOP + PERFECT CLOSE includes:</p> <ul style="list-style-type: none"> 1 x track profile for wall mounting 1 x cover profile 1 x accessory kit for door sash weights from 50 kg to 80 kg 1 x floor guide housing 1 x end plates for wall mounting/ceiling mounting (1 pair) 	1996 mm	626 112.1996.110	EV1	1 piece		
					.120	C31	1 piece	
					.190	C35	1 piece	
					.517	RAL 9016	1 piece	
			2496 mm	626 112.2496.110	EV1	1 piece		
					.120	C31	1 piece	
					.190	C35	1 piece	
					.517	RAL 9016	1 piece	
			2996 mm	626 112.2996.110	EV1	1 piece		
					.120	C31	1 piece	
					.190	C35	1 piece	
					.517	RAL 9016	1 piece	
			Custom length (mm)	626 112.length.110	EV1	per m (custom length)		
		.120	C31	per m (custom length)				
		.190	C35	per m (custom length)				
		.517	RAL 9016	per m (custom length)				
Optional accessories: electric lock, door stop profiles with/without striking plate, spacer profile, spacer gap cover profile, end plates for systems with spacer profiles (see pages 15-19)								
		<p>Complete set Portavant M 80, wall mounting, two-sided systems, with sliding sash weights from 50 kg to 80 kg, 2 x COMFORT STOP + PERFECT CLOSE per sash includes:</p> <ul style="list-style-type: none"> 1 x track profile for wall mounting 1 x cover profile 2 x accessory kit for door sash weights from 50 kg to 80 kg 2 x floor guide housing 1 x end plates for wall mounting/ceiling mounting (1 pair) 	2996 mm	626 212.2996.110	EV1	1 piece		
					.120	C31	1 piece	
					.190	C35	1 piece	
					.517	RAL 9016	1 piece	
			3996 mm	626 212.3996.110	EV1	1 piece		
					.120	C31	1 piece	
					.190	C35	1 piece	
					.517	RAL 9016	1 piece	
			4996 mm	626 212.4996.110	EV1	1 piece		
					.120	C31	1 piece	
					.190	C35	1 piece	
					.517	RAL 9016	1 piece	
			Custom length (mm)	626 212.length.110	EV1	per m (custom length)		
		.120	C31	per m (custom length)				
		.190	C35	per m (custom length)				
		.517	RAL 9016	per m (custom length)				
Optional accessories: electric lock, spacer profile, spacer gap cover profile, end plates for systems with spacer profiles (see pages 15-19)								

Calculation of glass width and profile length



$WS = LW + 70$ $LS = 2WS - WSZ - 29$ $LWt = LW - WSZ$

Your project measurements (mm)

Clear width (building) = LW = _____

Calculation of glass width of sliding sash (mm)

$WS = LW + 70 =$ _____ ≥ 330 mm

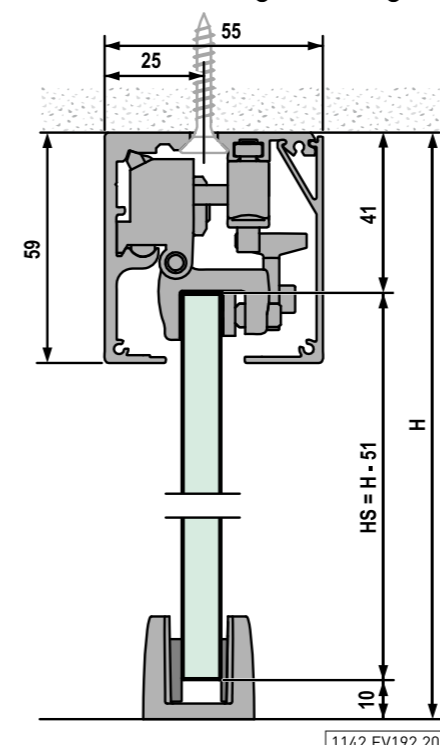
Note:

Please note that different formulas are used to calculate the glass widths and profile lengths when using the Portavant door stop profiles with/without striking plate. You will find these special formulas in our Portavant M 50 / Portavant M 80 profile and glass dimensions calculator at www.willach.com (please go to "Vitris", "Glass sliding door fittings for interior doors", "Portavant M 50 / Portavant M 80" in the "Downloads" area).

Calculation of profile length (track profile and cover profile; mm)

$LS = 2WS - WSZ - 29 =$ _____

Calculation of glass height



Your project measurements (mm)

System height = H = _____

Calculation of glass height of sliding sash (mm)

$HS = H - 51 =$ _____

Note:

The maximum height-width ratio of the sliding sash is 3:1.

Calculation of sash weight

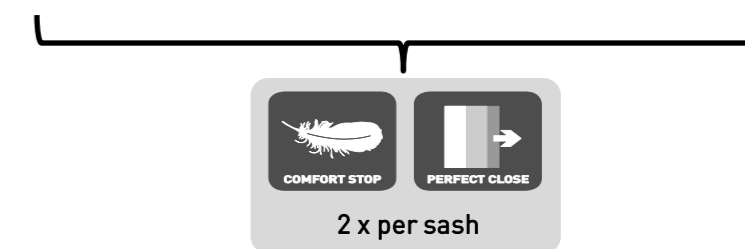
Weight of sliding sash (kg)

From 20 kg to 50 kg

From 50 kg to 80 kg

Please use Portavant M 50.

Please use Portavant M 80.



Your project measurements (mm)

Glass thickness of sliding sash = _____

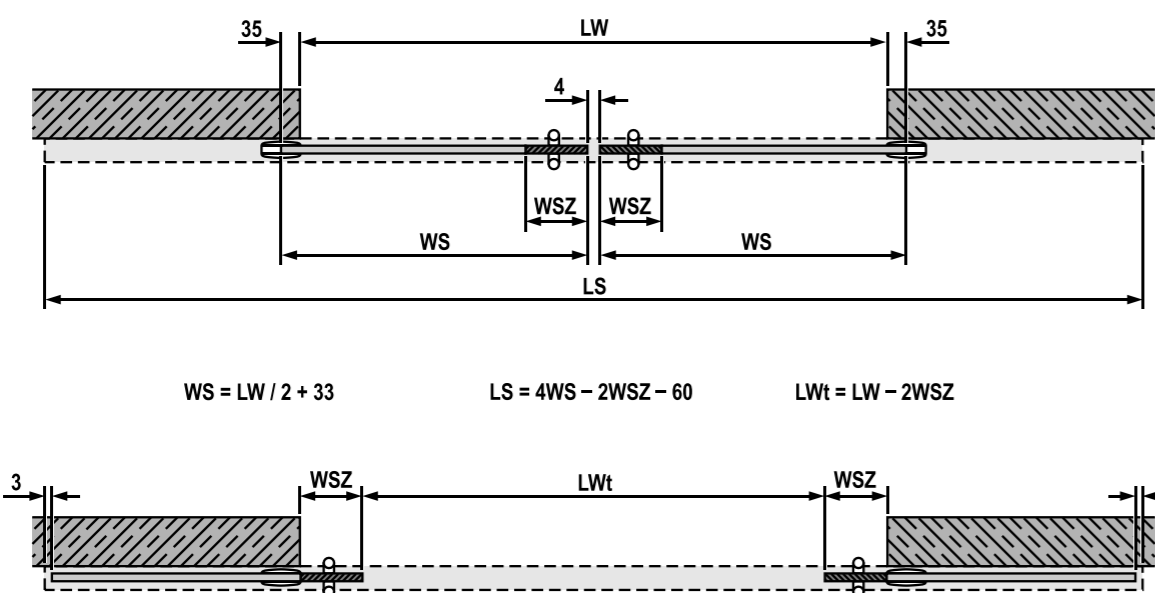
Calculation of sash weight of sliding sash (kg)

Sash weight = $WS/1000 \times HS/1000 \times$ glass thickness (without film) $\times 2.5 =$ _____

Note:

Portavant M 50 is suitable for sash weights from 20 kg to 50 kg. Portavant M 80 can be used for sash weights from 50 kg to 80 kg. For sash weights from 20 kg to 120 kg you can also use Portavant G 120 (e.g. for special installation situations such as glass wall mounting).

Calculation of glass width and profile length



$WS = LW / 2 + 33$ $LS = 4WS - 2WSZ - 60$ $LWt = LW - 2WSZ$

985.EV193.1911

Your project measurements (mm)

Clear width (building) = LW = _____

Calculation of glass width of sliding sash (mm)

$WS = LW/2 + 33 =$ _____ ≥ 330 mm

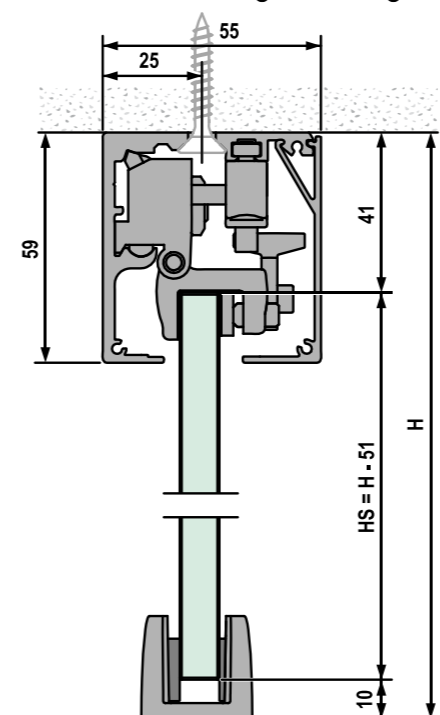
Note:

You will find our Portavant M 50 / Portavant M 80 profile and glass dimensions calculator at www.willach.com (please go to "Vitris", "Glass sliding door fittings for interior doors", "Portavant M 50 / Portavant M 80" in the "Downloads" area).

Calculation of profile length (track profile and cover profile; mm)

$LS = 4WS - 2WSZ - 60 =$ _____

Calculation of glass height



1142.EV192.2009

Your project measurements (mm)

System height = H = _____

Calculation of glass height of sliding sash (mm)

$HS = H - 51 =$ _____

Note:

The maximum height-width ratio of the sliding sash is 3:1.

Calculation of sash weight

Weight of sliding sash (kg)

From 20 kg to 50 kg

From 50 kg to 80 kg

Please use Portavant M 50.

Please use Portavant M 80.



Your project measurements (mm)

Glass thickness of sliding sash = _____

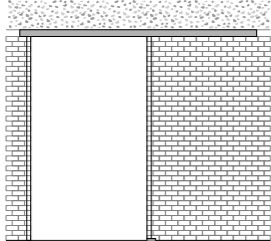

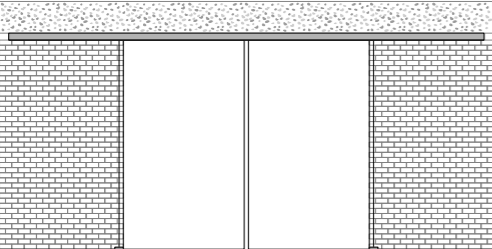

Calculation of sash weight of sliding sash (kg)

Sash weight = $WS/1000 \times HS/1000 \times$ glass thickness (without film) $\times 2.5 =$ _____

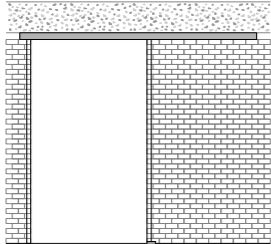

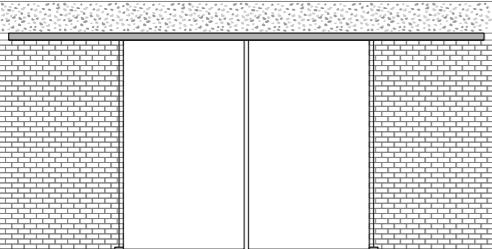

Note:

Portavant M 50 is suitable for sash weights from 20 kg to 50 kg. Portavant M 80 can be used for sash weights from 50 kg to 80 kg. For sash weights from 20 kg to 120 kg you can also use Portavant G 120 (e.g. for special installation situations such as glass wall mounting).

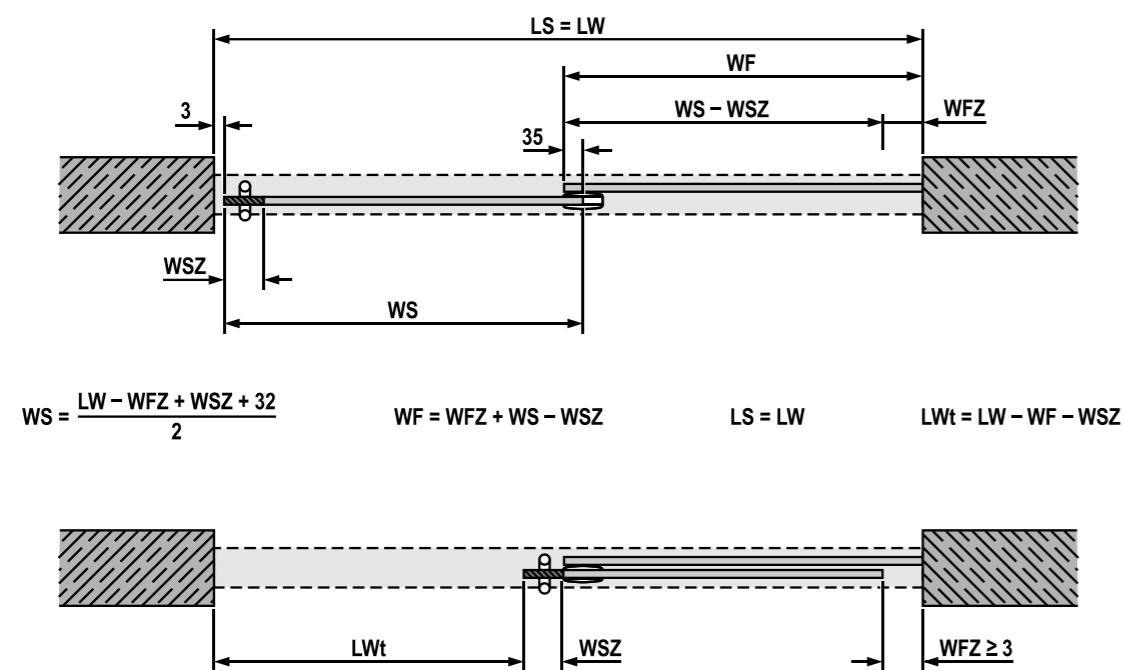
Portavant M 50 – complete sets for ceiling mounting without sidelight, one and two-sided systems

Installation situation	Equipment	Description	Profile length	Item number	Finish	Unit	Price in EUR	
	 <p>2 x per sash</p>	<p>Complete set Portavant M 50, ceiling mounting, one-sided system, with sliding sash weights from 20 kg to 50 kg, 2 x COMFORT STOP + PERFECT CLOSE includes:</p> <ul style="list-style-type: none"> 1 x track profile for ceiling mounting 1 x cover profile 1 x accessory kit for door sash weights from 20 kg to 50 kg 1 x floor guide housing 1 x end plates for wall mounting/ceiling mounting (1 pair) 	1996 mm	625 122.1996.110	EV1	1 piece		
					.120	C31	1 piece	
					.190	C35	1 piece	
			2496 mm	625 122.2496.110	EV1	1 piece		
					.120	C31	1 piece	
					.190	C35	1 piece	
			Custom length (mm)	625 122.length.110	EV1	per m (custom length)		
					.120	C31	per m (custom length)	
					.190	C35	per m (custom length)	
			Optional accessories: electric lock, door stop profiles (see page 15)					
	 <p>2 x per sash</p>	<p>Complete set Portavant M 50, ceiling mounting, two-sided systems, with sliding sash weights from 20 kg to 50 kg, 2 x COMFORT STOP + PERFECT CLOSE per sash includes:</p> <ul style="list-style-type: none"> 1 x track profile for ceiling mounting 1 x cover profile 2 x accessory kit for door sash weights from 20 kg to 50 kg 2 x floor guide housing 1 x end plates for wall mounting/ceiling mounting (1 pair) 	2996 mm	625 222.2996.110	EV1	1 piece		
					.120	C31	1 piece	
					.190	C35	1 piece	
			3996 mm	625 222.3996.110	EV1	1 piece		
					.120	C31	1 piece	
					.190	C35	1 piece	
			4996 mm	625 222.4996.110	EV1	1 piece		
					.120	C31	1 piece	
					.190	C35	1 piece	
			Custom length (mm)	625 222.length.110	EV1	per m (custom length)		
		.120	C31	per m (custom length)				
		.190	C35	per m (custom length)				
Optional accessory: electric lock (see page 15)								

Portavant M 80 – complete sets for ceiling mounting without sidelight, one and two-sided systems

Installation situation	Equipment	Description	Profile length	Item number	Finish	Unit	Price in EUR	
	 <p>2 x per sash</p>	<p>Complete set Portavant M 80, ceiling mounting, one-sided system, with sliding sash weights from 50 kg to 80 kg, 2 x COMFORT STOP + PERFECT CLOSE includes:</p> <ul style="list-style-type: none"> 1 x track profile for ceiling mounting 1 x cover profile 1 x accessory kit for door sash weights from 50 kg to 80 kg 1 x floor guide housing 1 x end plates for wall mounting/ceiling mounting (1 pair) 	1996 mm	626 122.1996.110	EV1	1 piece		
					.120	C31	1 piece	
					.190	C35	1 piece	
			2496 mm	626 122.2496.110	EV1	1 piece		
					.120	C31	1 piece	
					.190	C35	1 piece	
			2996 mm	626 122.2996.110	EV1	1 piece		
					.120	C31	1 piece	
					.190	C35	1 piece	
			Custom length (mm)	626 122.length.110	EV1	per m (custom length)		
		.120	C31	per m (custom length)				
		.190	C35	per m (custom length)				
Optional accessories: electric lock, door stop profiles (see page 15)								
	 <p>2 x per sash</p>	<p>Complete set Portavant M 80, ceiling mounting, two-sided systems, with sliding sash weights from 50 kg to 80 kg, 2 x COMFORT STOP + PERFECT CLOSE per sash includes:</p> <ul style="list-style-type: none"> 1 x track profile for ceiling mounting 1 x cover profile 2 x accessory kit for door sash weights from 50 kg to 80 kg 2 x floor guide housing 1 x end plates for wall mounting/ceiling mounting (1 pair) 	2996 mm	626 222.2996.110	EV1	1 piece		
					.120	C31	1 piece	
					.190	C35	1 piece	
			3996 mm	626 222.3996.110	EV1	1 piece		
					.120	C31	1 piece	
					.190	C35	1 piece	
			4996 mm	626 222.4996.110	EV1	1 piece		
					.120	C31	1 piece	
					.190	C35	1 piece	
			Custom length (mm)	626 222.length.110	EV1	per m (custom length)		
		.120	C31	per m (custom length)				
		.190	C35	per m (custom length)				
Optional accessory: electric lock (see page 15)								

Calculation of glass width and profile length



$WS = \frac{LW - WFZ + WSZ + 32}{2}$ $WF = WFZ + WS - WSZ$ $LS = LW$ $LWt = LW - WF - WSZ$

986.EV193.1911

Please enter the lengths of the track profile and the cover profile (mm)

LS = LW = _____

Calculation of glass width of sliding sash (mm)

$WS = (LW - WFZ + WSZ + 32) / 2 =$ _____ ≥ 330 mm

Calculation of glass width of sidelight (mm)

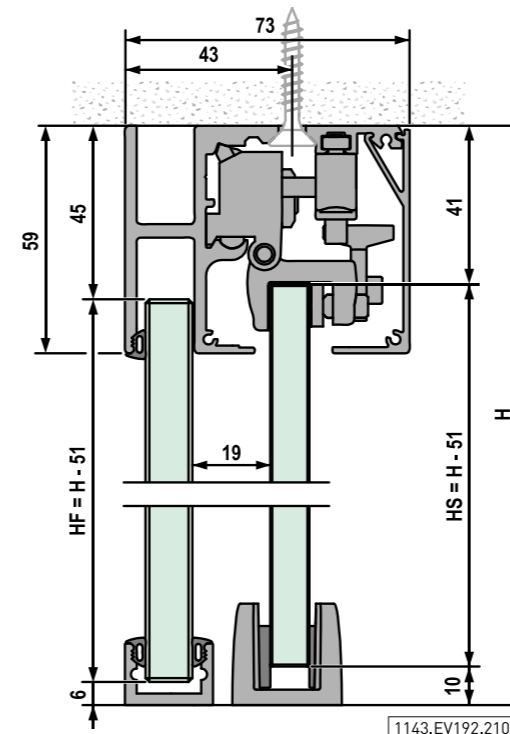
$WF = WFZ + WS - WSZ =$ _____

with $WFZ \geq 3$ mm

Note:

Please note that different formulas are used to calculate the glass widths and profile lengths when using the Portavant door stop profiles with/without striking plate. You will find these special formulas in our Portavant M 50 / Portavant M 80 profile and glass dimensions calculator at www.willach.com (please go to "Vitris", "Glass sliding door fittings for interior doors", "Portavant M 50 / Portavant M 80" in the "Downloads" area).

Calculation of glass height



1143.EV192.2102

Your project measurements (mm)

System height = H = _____

Calculation of glass height of sliding sash (mm)

$HS = H - 51 =$ _____

Calculation of glass height of sidelight (mm)

$HF = H - 51 =$ _____

Note:

The maximum height-width ratio of the sliding sash is 3:1.

Calculation of sash weight

Weight of sliding sash (kg)

From 20 kg to 50 kg

From 50 kg to 80 kg

Please use Portavant M 50.

Please use Portavant M 80.



Your project measurements (mm)

Glass thickness of sliding sash = _____

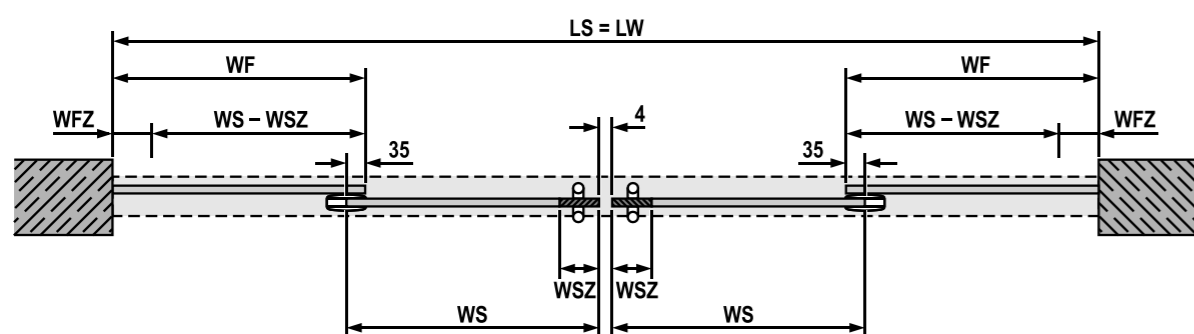
Calculation of sash weight of sliding sash (kg)

Sash weight = $WS/1000 \times HS/1000 \times$ glass thickness (without film) $\times 2.5 =$ _____

Note:

Portavant M 50 is suitable for sash weights from 20 kg to 50 kg. Portavant M 80 can be used for sash weights from 50 kg to 80 kg. For sash weights from 20 kg to 120 kg you can also use Portavant G 120 (e.g. for special installation situations such as glass wall mounting).

Calculation of glass width and profile length



$$WS = \frac{LW - 2WFZ + 2WSZ + 66}{4} \quad WF = WFZ + WS - WSZ \quad LS = LW \quad LWt = LW - 2WF - 2WSZ$$



987.EV193.1911

Please enter the lengths of the track profile and the cover profile (mm)

LS = LW = _____

Calculation of glass width of sliding sash (mm)

WS = (LW - 2WFZ + 2WSZ + 66) / 4 = _____ ≥ 330 mm

Calculation of glass width of sidelight (mm)

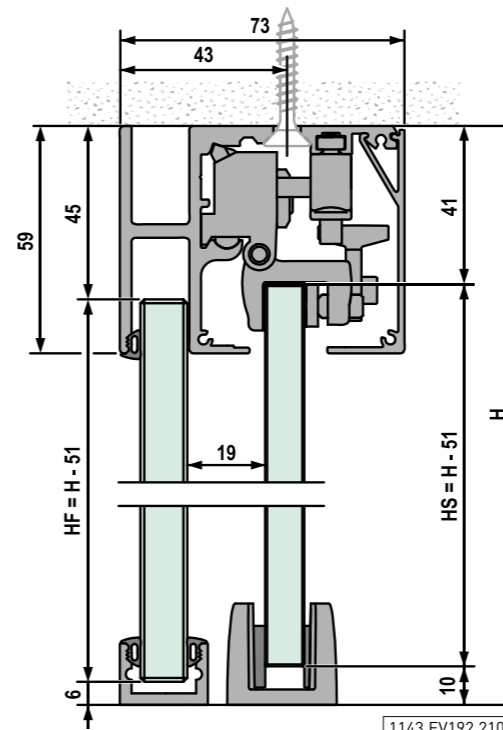
WF = WFZ + WS - WSZ = _____

with WFZ ≥ 3 mm

Note:

You will find our Portavant M 50 / Portavant M 80 profile and glass dimensions calculator at www.willach.com (please go to "Vitris", "Glass sliding door fittings for interior doors", "Portavant M 50 / Portavant M 80" in the "Downloads" area).

Calculation of glass height



1143.EV192.2102

Your project measurements (mm)

System height = H = _____

Calculation of glass height of sliding sash (mm)

HS = H - 51 = _____

Calculation of glass height of sidelight (mm)

HF = H - 51 = _____

Note:

The maximum height-width ratio of the sliding sash is 3:1.

Calculation of sash weight

Weight of sliding sash (kg)

From 20 kg to 50 kg

From 50 kg to 80 kg

Please use Portavant M 50.

Please use Portavant M 80.



Your project measurements (mm)

Glass thickness of sliding sash = _____

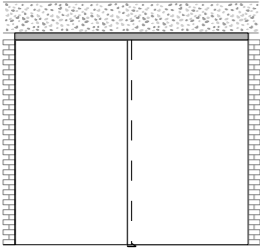

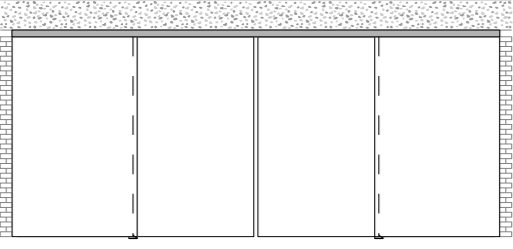

Calculation of sash weight of sliding sash (kg)

Sash weight = WS/1000 x HS/1000 x glass thickness (without film) x 2.5 = _____

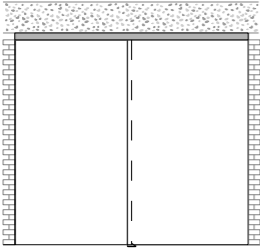

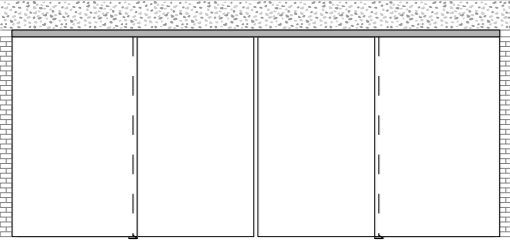

Note:

Portavant M 50 is suitable for sash weights from 20 kg to 50 kg. Portavant M 80 can be used for sash weights from 50 kg to 80 kg. For sash weights from 20 kg to 120 kg you can also use Portavant G 120 (e.g. for special installation situations such as glass wall mounting).

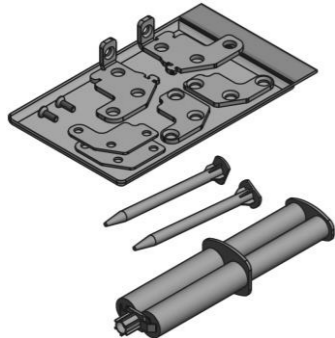
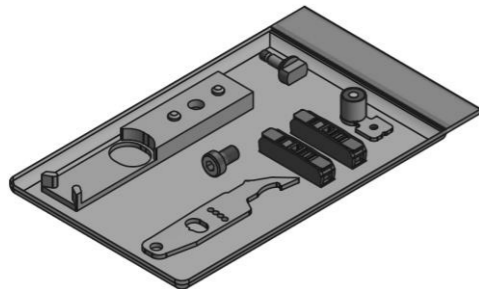
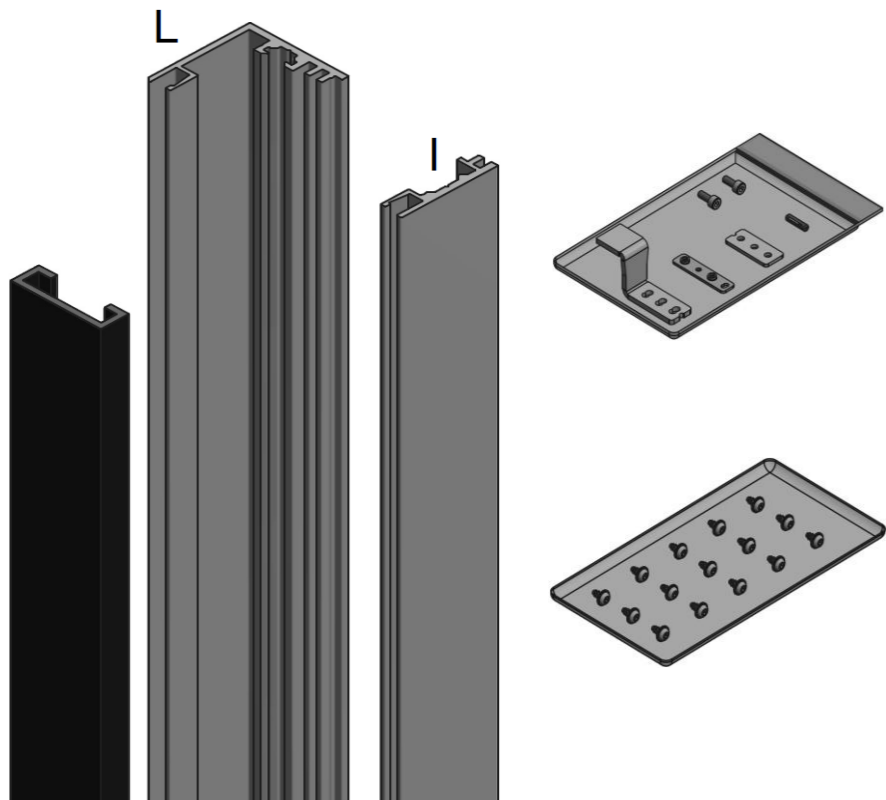
Portavant M 50 – Complete sets for ceiling mounting with sidelight, one and two-sided systems

Installation situation	Equipment	Description	Profile length	Item number	Finish	Unit	Price in EUR	
	 <p>2 x per sash</p>	<p>Complete set Portavant M 50, ceiling mounting with sidelight, one-sided system, with sliding sash weights from 20 kg to 50 kg, 2 x COMFORT STOP + PERFECT CLOSE</p> <p>includes:</p> <ul style="list-style-type: none"> 1 x track profile for ceiling mounting with sidelight 1 x cover profile 1 x accessory kit for door sash weights from 20 kg to 50 kg 1 x floor guide housing 1 x end plates for ceiling mounting with sidelight (1 pair) 1 x 1200 mm self-adhesive PET insert 	1996 mm	625 126.1996.110	EV1	1 piece		
					.120	C31	1 piece	
					.190	C35	1 piece	
			2496 mm	625 126.2496.110	EV1	1 piece		
					.120	C31	1 piece	
					.190	C35	1 piece	
			Custom length (mm)	625 126.length.110	EV1	per m (custom length)		
					.120	C31	per m (custom length)	
					.190	C35	per m (custom length)	
			<p>Optional accessories: electric lock, door stop profiles with/without striking plate (see page 15), special cover for track profile, floor/wall profile, end plates for floor/wall profile, silicone strip (see Portavant accessories article list)</p> <p>Note: for the lateral fixing of self-supporting systems with sidelight, also item 626 400.0000.000 is required (see page 15).</p>					
	 <p>2 x per sash</p>	<p>Complete set Portavant M 50, ceiling mounting with sidelight, two-sided systems, with sliding sash weights from 20 kg to 50 kg, 2 x COMFORT STOP + PERFECT CLOSE per sash</p> <p>includes:</p> <ul style="list-style-type: none"> 1 x track profile for ceiling mounting with sidelight 1 x cover profile 2 x accessory kit for door sash weights from 20 kg to 50 kg 2 x floor guide housing 1 x end plates for ceiling mounting with sidelight (1 pair) 2 x 1200 mm self-adhesive PET insert 	2996 mm	625 226.2996.110	EV1	1 piece		
					.120	C31	1 piece	
					.190	C35	1 piece	
			3996 mm	625 226.3996.110	EV1	1 piece		
					.120	C31	1 piece	
					.190	C35	1 piece	
			4996 mm	625 226.4996.110	EV1	1 piece		
					.120	C31	1 piece	
					.190	C35	1 piece	
			Custom length (mm)	625 226.length.110	EV1	per m (custom length)		
		.120	C31	per m (custom length)				
		.190	C35	per m (custom length)				
<p>Optional accessories: electric lock (see page 15), special cover for track profile, floor/wall profile, end plates for floor/wall profile, silicone strip (see Portavant accessories article list)</p> <p>Note: for the lateral fixing of self-supporting systems with sidelight, also item 626 400.0000.000 is required (see page 15).</p>								

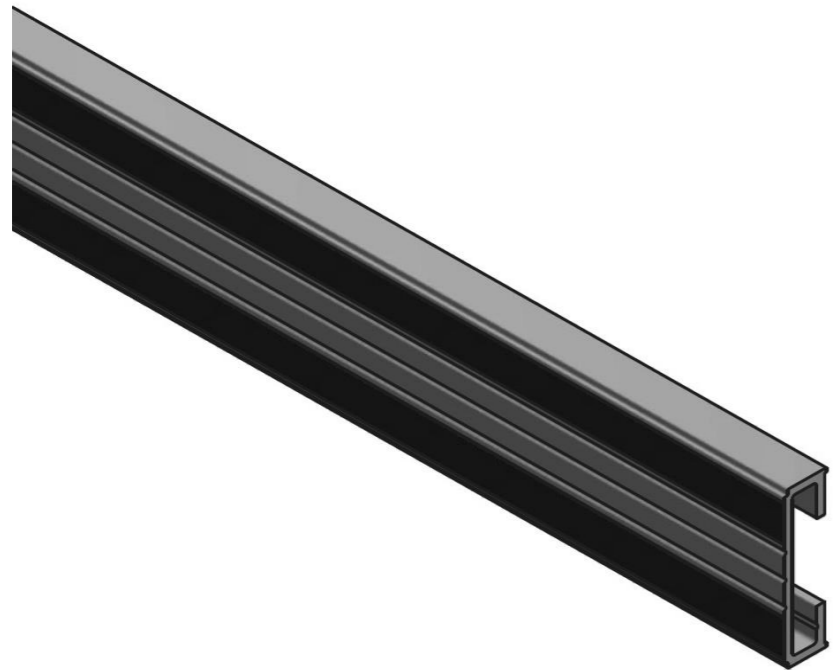
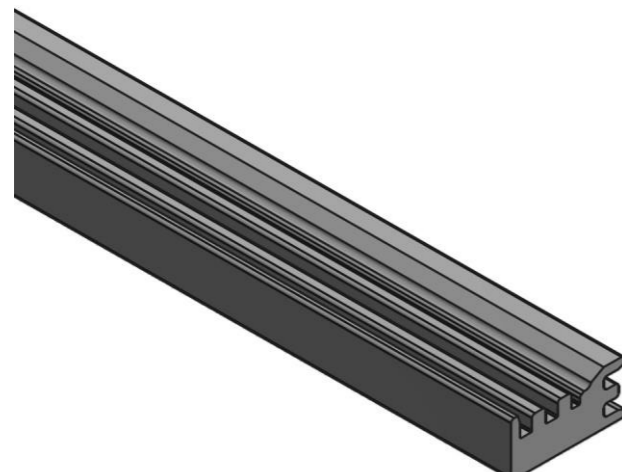
Portavant M 80 – Complete sets for ceiling mounting with sidelight, one and two-sided systems

Installation situation	Equipment	Description	Profile length	Item number	Finish	Unit	Price in EUR	
	 <p>2 x per sash</p>	<p>Complete set Portavant M 80, ceiling mounting with sidelight, one-sided system, with sliding sash weights from 50 kg to 80 kg, 2 x COMFORT STOP + PERFECT CLOSE</p> <p>includes:</p> <ul style="list-style-type: none"> 1 x track profile for ceiling mounting with sidelight 1 x cover profile 1 x accessory kit for door sash weights from 50 kg to 80 kg 1 x floor guide housing 1 x end plates for ceiling mounting with sidelight (1 pair) 1 x 1200 mm self-adhesive PET insert 	1996 mm	626 126.1996.110	EV1	1 piece		
					.120	C31	1 piece	
					.190	C35	1 piece	
			2496 mm	626 126.2496.110	EV1	1 piece		
					.120	C31	1 piece	
					.190	C35	1 piece	
			2996 mm	626 126.2996.110	EV1	1 piece		
					.120	C31	1 piece	
					.190	C35	1 piece	
			Custom length (mm)	626 126.length.110	EV1	per m (custom length)		
					.120	C31	per m (custom length)	
					.190	C35	per m (custom length)	
			<p>Optional accessories: electric lock, door stop profiles with/without striking plate (see page 15), special cover for track profile, floor/wall profile, end plates for floor/wall profile, silicone strip (see Portavant accessories article list)</p> <p>Note: for the lateral fixing of self-supporting systems with sidelight, also item 626 400.0000.000 is required (see page 15).</p>					
	 <p>2 x per sash</p>	<p>Complete set Portavant M 80, ceiling mounting with sidelight, two-sided systems, with sliding sash weights from 50 kg to 80 kg, 2 x COMFORT STOP + PERFECT CLOSE per sash</p> <p>includes:</p> <ul style="list-style-type: none"> 1 x track profile for ceiling mounting with sidelight 1 x cover profile 2 x accessory kit for door sash weights from 50 kg to 80 kg 2 x floor guide housing 1 x end plates for ceiling mounting with sidelight (1 pair) 2 x 1200 mm self-adhesive PET insert 	2996 mm	626 226.2996.110	EV1	1 piece		
					.120	C31	1 piece	
					.190	C35	1 piece	
			3996 mm	626 226.3996.110	EV1	1 piece		
					.120	C31	1 piece	
					.190	C35	1 piece	
			4996 mm	626 226.4996.110	EV1	1 piece		
					.120	C31	1 piece	
					.190	C35	1 piece	
			Custom length (mm)	626 226.length.110	EV1	per m (custom length)		
					.120	C31	per m (custom length)	
					.190	C35	per m (custom length)	
			<p>Optional accessories: electric lock (see page 15), special cover for track profile, floor/wall profile, end plates for floor/wall profile, silicone strip (see Portavant accessories article list)</p> <p>Note: for the lateral fixing of self-supporting systems with sidelight, also item 626 400.0000.000 is required (see page 15).</p>					

Portavant M 50 / Portavant M 80 – Optional accessories

Illustration	Description	Profile length	Item number	Finish	Unit	Price in EUR
	<p>Supplementary accessory kit, lateral fixing for self-supporting systems with sidelight, Portavant M 50 / Portavant M 80</p> <p>includes: 2 x bracket for lateral fixing of self-supporting systems 1 x fixings 1 x supplementary installation instructions</p>		626 400.0000.000		1 piece	
		<p>Note: for installation situations with lateral fixing of self-supporting systems, this supplementary accessory kit is required in addition to the complete set for ceiling mounting with sidelight. Only for one-sided systems (one sliding sash with one or two sidelights)!</p>				
	<p>Portavant M 50 / Portavant M 80 electric lock supplementary accessory kit</p> <p>includes: 1 x support plate with electromagnet 1 x locking hook 1 x plate with locking/guiding cam 1 x set of screw terminals 1 x fixings 1 x additional installation instructions</p>		626 390.0000.000		1 piece	
		<p>Note: the low voltage (24V DC) lock is only suitable for glass sliding doors and can be connected to and operated with your preferred electronic components. The power source and the control unit are not supplied.</p>				
	<p>Door stop profiles with striking plate</p> <p>include: 1 x door stop profile "L" 1 x door stop profile "I" 1 x rubber stop strip (black) 1 x striking plate set 1 x or 2 x fixing material 1 x supplementary instructions</p>	1996 mm	627 410.1996.110	EV1	1 piece	
			.120	C31	1 piece	
		2496 mm	627 410.2496.110	EV1	1 piece	
			.120	C31	1 piece	
		2996 mm	627 410.2996.110	EV1	1 piece	
			.120	C31	1 piece	
		4996 mm	627 410.4996.110	EV1	1 piece	
	.120	C31	1 piece			
Custom length (mm)	627 410.length.110	EV1	per m (custom length)			
	.120	C31	per m (custom length)			
<p>Note: the door stop profiles with/without striking plate can be used for Portavant M 50, Portavant M 80, Portavant G 120, Portavant 60 twinline (ceiling mounting) and Portavant 150.</p>						

Portavant M 50 / Portavant M 80 – Optional accessories

Illustration	Description	Profile length	Item number	Finish	Unit	Price in EUR		
	Spacer profile 39 x 10 mm	1996 mm	627 420.1996.110	EV1	1 piece			
			.120	C31	1 piece			
		2496 mm	627 420.2496.110	EV1	1 piece			
			.120	C31	1 piece			
		2996 mm	627 420.2996.110	EV1	1 piece			
			.120	C31	1 piece			
		3496 mm	627 420.3496.110	EV1	1 piece			
			.120	C31	1 piece			
	Spacer gap cover profile 19 x 9 mm	1996 mm	627 430.1996.110	EV1	1 piece			
			.120	C31	1 piece			
		3996 mm	627 430.3996.110	EV1	1 piece			
			.120	C31	1 piece			
		Custom length (mm)	627 430.length.110	EV1	per m (custom length)			
			.120	C31	per m (custom length)			
		Note: the spacer profile can be used horizontally to shim the track profile in the case of wall mounting with door frame. When used vertically, the spacer profile serves to shim the door stop profiles. See the planning criteria on pages 17-18 to determine the number of spacer profiles required.						
		Compulsory accessories when using the spacer profile horizontally to shim the track profile in case of wall mounting with door frame: complementary accessory kit with end plates (see page 19)!						
Note: to cover the gap between the track profile and the wall when using the spacer profile.								
See the planning criteria on page 17 to determine the number of profiles required to cover the spacer gap (depending on the thickness of the door frame).								

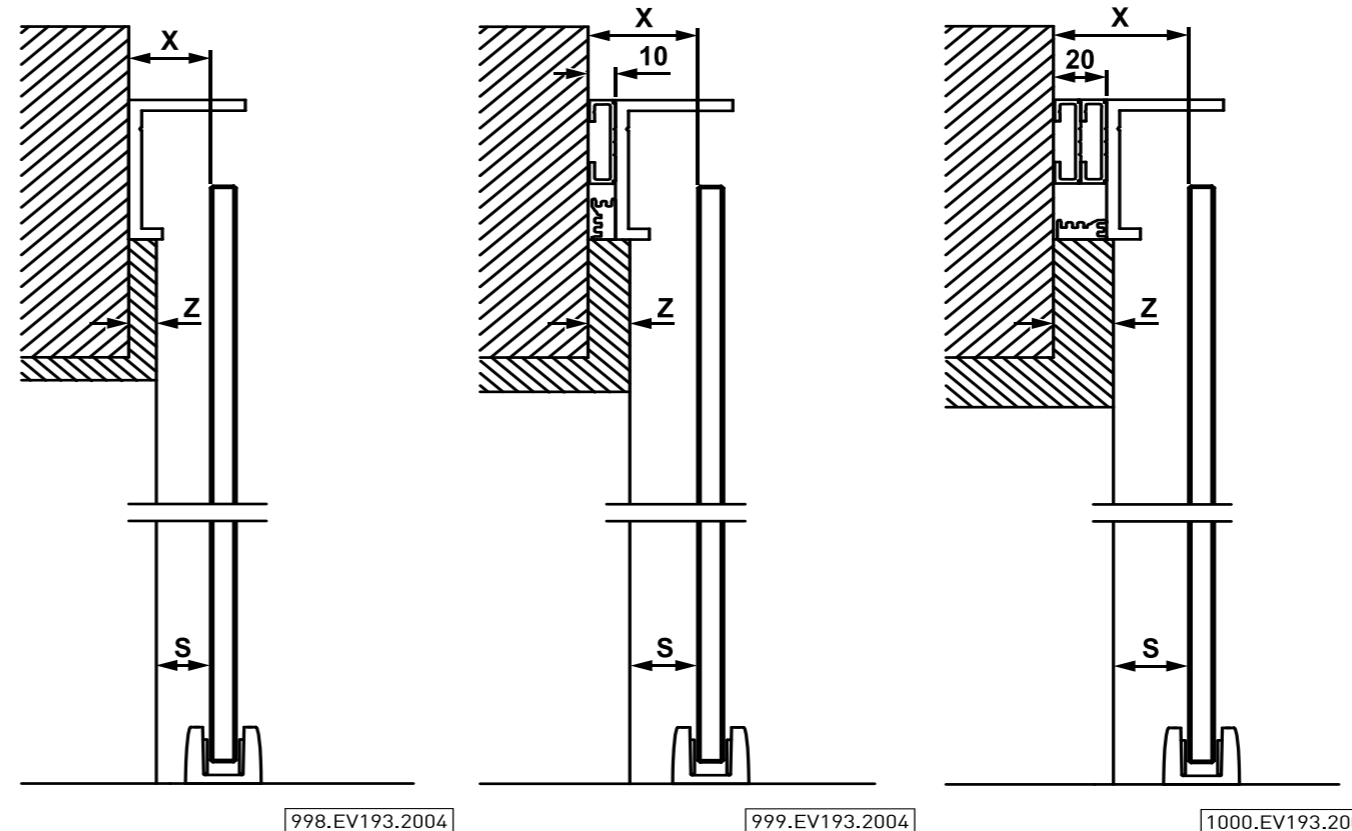
Portavant M 50 / Portavant M 80 – Planning criteria to determine the number of spacer profiles and spacer gap cover profiles required (depending on the thickness of the door frame)

Legend:

S = gap dimension
X = distance between wall and edge of glass sash
Z = thickness of door frame

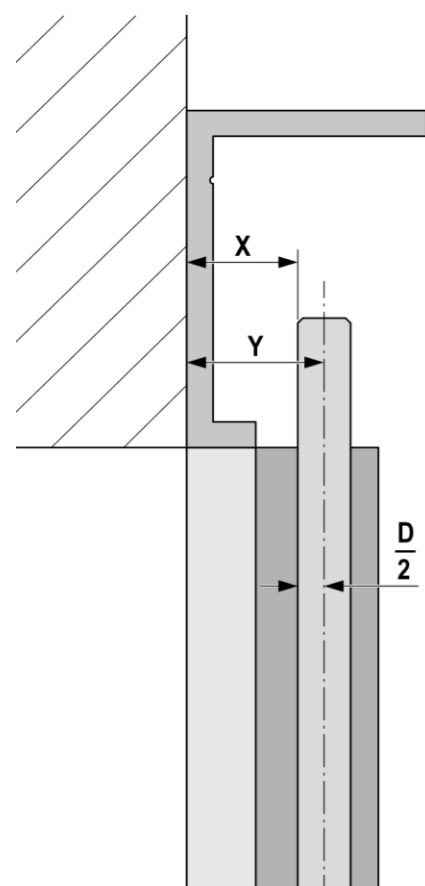
Z =	0 - 11 mm	12 - 21 mm	22 - 31 mm
Item number 627 420	0 x	1 x	2 x
Item number 627 430*	0 x	1 x	1 x
X =	19 mm	29 mm	39 mm

$S = X - Z \geq 8 \text{ mm}$



* optional

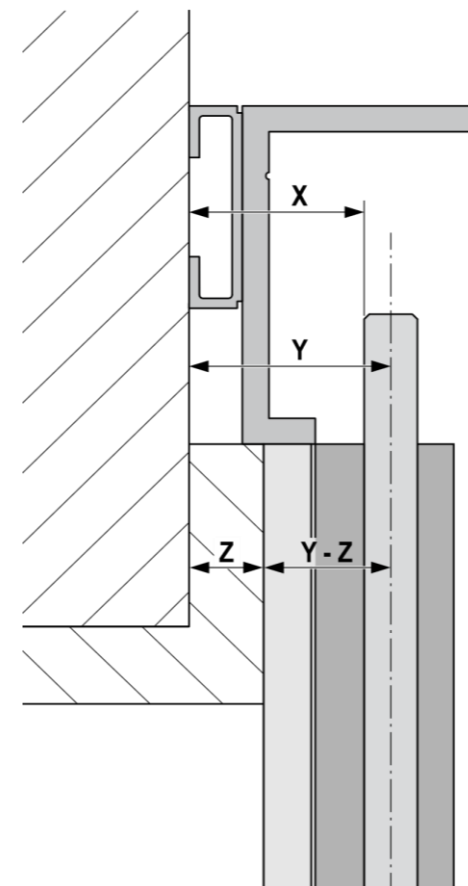
Portavant M 50 / Portavant M 80 – Planning criteria to determine the number of vertical spacer profiles required in combination with the Portavant door stop profiles with/without striking plate



1015.EV193.2005

14 < Y ≤ 23	0 x	
	(Item number 627 420)	
	1 x	
	(Item number 627 410)	
24 ≤ Y ≤ 33	1 x	
	(Item number 627 420)	
	1 x	
	(Item number 627 410)	
34 ≤ Y ≤ 43	2 x	
	(Item number 627 420)	
	1 x	
	(Item number 627 410)	
Y > 43		

$Y = X + D/2$

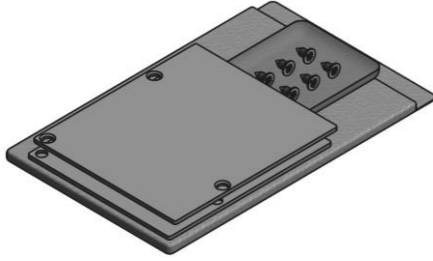
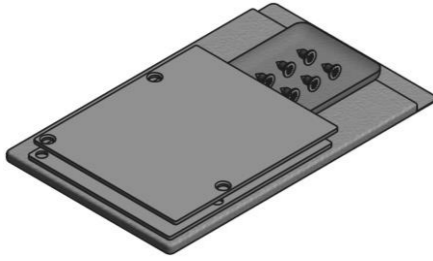


1016.EV193.2005

14 < Y - Z ≤ 23	0 x	
	(Item number 627 420)	
	1 x	
	(Item number 627 410)	
24 ≤ Y - Z ≤ 33	1 x	
	(Item number 627 420)	
	1 x	
	(Item number 627 410)	
34 ≤ Y - Z ≤ 43	2 x	
	(Item number 627 420)	
	1 x	
	(Item number 627 410)	
Y - Z > 43		

$Y - Z = X + D/2 - Z$

Portavant M 50 / Portavant M 80 – Compulsory accessories when spacer profiles are used horizontally to shim the track profile in the case of wall mounting with door frame

Illustration	Description	Item number	Finish	Unit	Price in EUR						
	<p>Complementary accessory kit with Portavant M 50 / Portavant M 80 end plates when using one spacer profile horizontally</p> <p>includes: 1 x end plates when using one spacer profile (1 pair) 1 x fixing material 1 x supplementary instructions</p>	<table border="1"> <tr><td>626 441.0000.110</td></tr> <tr><td>.120</td></tr> </table>	626 441.0000.110	.120	<table border="1"> <tr><td>EV1</td></tr> <tr><td>C31</td></tr> </table>	EV1	C31	<table border="1"> <tr><td>1 piece</td></tr> <tr><td>1 piece</td></tr> </table>	1 piece	1 piece	
626 441.0000.110											
.120											
EV1											
C31											
1 piece											
1 piece											
<p>Note: this complementary accessory kit is compulsory if one spacer profile is used horizontally.</p>											
	<p>Complementary accessory kit with Portavant M 50 / Portavant M 80 end plates when using two spacer profiles horizontally</p> <p>includes: 1 x end plates when using two spacer profiles (1 pair) 1 x fixing material 1 x supplementary instructions</p>	<table border="1"> <tr><td>626 442.0000.110</td></tr> <tr><td>.120</td></tr> </table>	626 442.0000.110	.120	<table border="1"> <tr><td>EV1</td></tr> <tr><td>C31</td></tr> </table>	EV1	C31	<table border="1"> <tr><td>1 piece</td></tr> <tr><td>1 piece</td></tr> </table>	1 piece	1 piece	
626 442.0000.110											
.120											
EV1											
C31											
1 piece											
1 piece											
<p>Note: this complementary accessory kit is compulsory if two spacer profiles are used horizontally.</p>											



Sash weights of sliding sashes	Portavant M 50: from 20 kg to 50 kg per sliding sash Portavant M 80: from 50 kg to 80 kg per sliding sash always with cushioning on both sides
Glass width of sliding sash	330 mm minimum The maximum height-width ratio of the sliding sashes is 3:1.
Glass thickness of sliding sash Tempered glass Laminated safety glass (made of tempered glass)	8 mm, 10 mm 8.76 mm, 10.76 mm
Glass thickness of sidelights and glass wall Tempered glass Laminated safety glass (made of tempered glass)	10 mm, 12 mm 10.76 mm, 12.76 mm
Available profile lengths	1996 mm, 2496 mm, 2996 mm, 3996 mm, 4996 mm and custom length
Roller assemblies	High quality, precise roller bearings with plastic coating
Execution	One-sided or two-sided; for right and left-hand use; always with cushioning on both sides; wall mounting, ceiling mounting with or without sidelight, lateral fixing for self-supporting system with sidelight; colours: natural aluminium (EV1), stainless steel effect (C31, main visible surfaces brushed), anodised black (C35) and powder-coated white (RAL 9016, for wall mounting only)



The company

With its VITRIS product division, Willach is among the leading producers of glass fittings in Europe. Since its foundation in 1889, the company has been dedicated to the manufacture of products to the highest quality and precision standards. Willach quickly cemented its pioneering reputation with numerous technical innovations and intelligent solutions that paid close attention to intricate detail. With the Portavant product line, Willach today offers a range of elegant, technically sophisticated fittings for glass sliding interior doors. The Aquant product line offers high-quality fittings for shower glass sliding doors. In addition, the Atrivant product line offers intelligent sliding glass door fittings for balcony and terrace glazing. Furthermore, the VITRIS product range comprises a comprehensive modular system of showcase fittings, sliding door locks and slot bar systems for discerning interior, shop and trade show furnishings. VITRIS products are certified in accordance with ISO standards and are manufactured at our Ruppichteroth production site in Germany to stringent manufacturing standards. This forms the basis for the excellent quality and consistently high level of availability of the entire VITRIS range.

Please contact us and we will be happy to advise you!

Gebr. Willach GmbH
Stein 2
D-53809 Ruppichteroth
Germany
Tel.: +49 (0)2295 92 08 421/423/427/433
Fax: +49 (0)2295 9208 429
vitris@willach.com
www.willach.com



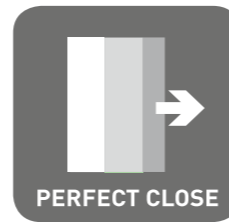
Willach Group

Benefit from these advantages



COMFORT STOP

The cushioning system for your safety: slows down the sliding sashes gently and quietly before the end positions are reached.



PERFECT CLOSE

The end-position retraction system for perfectly closed doors: pulls the door safely to its end position and prevents it from bouncing back, thus ensuring discretion and well-being in perfectly closed spaces.



EXACT TRIGGER

A mechanism you can rely on: features a revolutionary design that ensures that the cushioning system always functions reliably.



DOUBLE GUIDE

The double guidance mechanism: keeps your sashes running smoothly, quietly and safely.



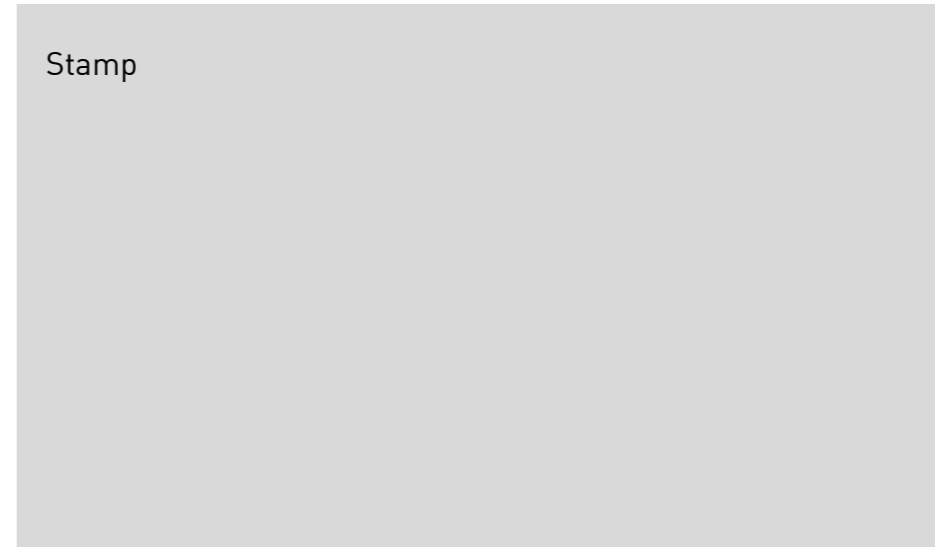
EASY INSTALL

The solution for greatest ease of installation: makes the installation of sliding doors a breeze.



EASY LOCK

The solution for easy locking: makes it easy to lock your sliding door, whether using an electric lock or door stop profiles with striking plate.



SYSTEM FIT

The modular solution for your installation: resolves almost any installation situation using modular system components.

Product descriptions, drawings and illustrations represent neither assured characteristics nor declarations of guarantee. Subject to change, errors excepted.

Edition 11/2021